

Project Name:	
Type:	

C2 Series

Exit Sign and Combo

PRODUCT FEATURE

HOUSING

- Injection-molded thermoplastic housing
- Plastic enclosure with 5VA flame retardant
- Compact and decorative design
- Friendly configuration design for quick installation
- EXIT letter 6" height and 3/4" stroke, snap in and snap out direction indicator
- Fully rotatable lamps head easy snap in housing
- Black color optional

ELECTRICAL

- 120/277VAC 60Hz dual voltage input optional
- Brownout circuit protection for ST/SD fixture
- Battery low voltage protection
- Solid-state transfer circuit
- Test switch and battery charging indicator
- Maintenance free Ni-cad battery
- 24 hours recharge, more than 90 minutes discharge

ILLUMINATION

- Long-life red or green LED lamps provide uniform diffuser illumination
- Standard model lamp head DC3.6V 0.75W, deliver 150lm from whole unit, CCR 5700K
- HO model lamp head DC 3.6V 1.2W, deliver 250lm from whole unit, CCT 5700K

MOUNTING

- Suitable for wall mounting, ceiling mounting and side mounting
- Universal J-box mounting pattern on back plate



OPTIONS

- Basic model with manual test switch and indicator
- RC option with 3.6V 1.5W remote capability
- Self-testing and Self-diagnostic optional
- Red and green color EXIT sign optional
- LynxEM® Wireless testing and reporting system are available.

CODE COMPLIANCE

- UL listed and meets or exceed all requirement in NFPA 70, NFPA 101 life safety code, suitable for USA market
- Compliant CEC title 20 efficiency regulations
- Suitable for 10°C - 40°C ambient temperature, suitable for damp location

RELATED PRODUCTS

- [C1 Series - Exit Sign Combos](#)
- [C3 Series - Exit Sign Combos](#)
- [C4 Series - Exit Sign Combos](#)
- [C5 Series - Exit Sign Combos](#)

WARRANTY

- See [Limited Warranty Policy](#) for more additional information

ORDER INFORMATION: EXAMPLE: C2-R-BLANK-CT-B-1

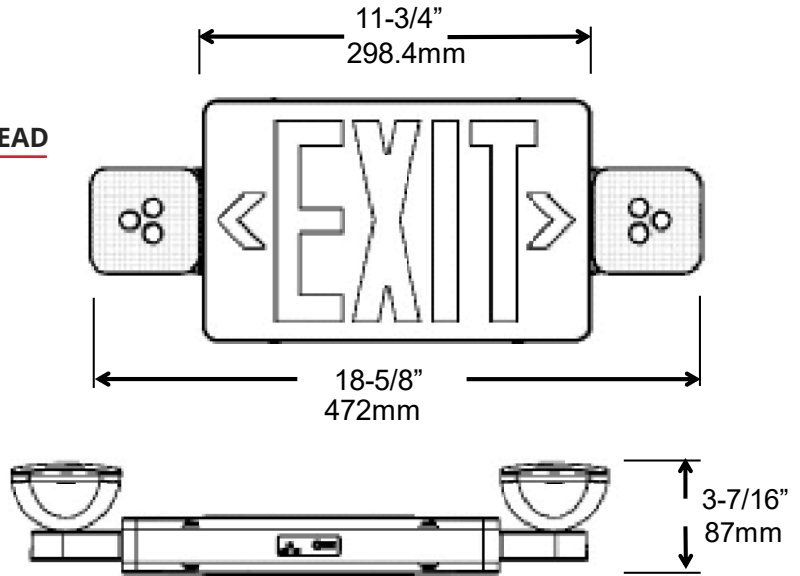
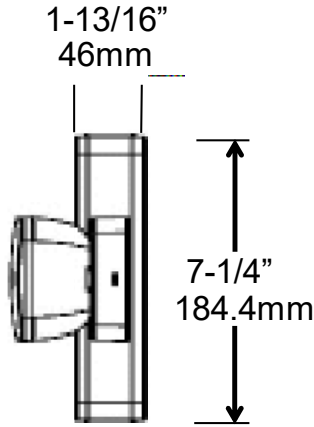
MODEL	LEGEND	OPTION	TEST FACILITY	HOUSING COLOR	INPUT VOLTAGE
C2 Series	R Red color G Green color	BLANK Basic model HO High lumen output RC Remote capability	BLANK Manual test CT Self-testing/ Self-diagnostics ZD Wireless Reporting LynxEM® Control	W White B Black	1 120/ 277VAC

C2 Series

Exit Sign and Exit Combo

Project Name:	
Type:	

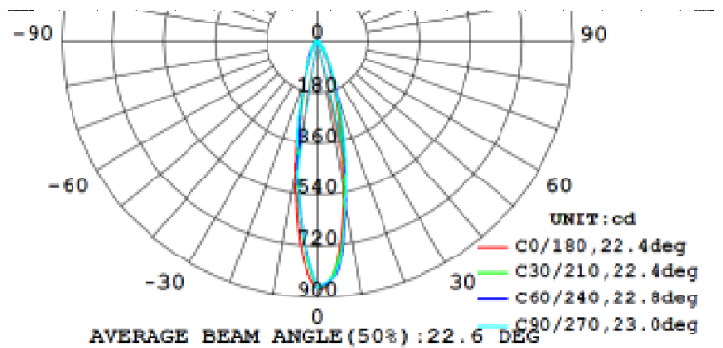
DIMENSION AND FULLY RETATIONAL LAMP HEAD



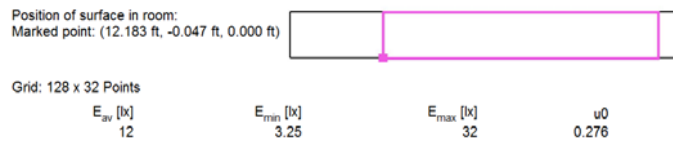
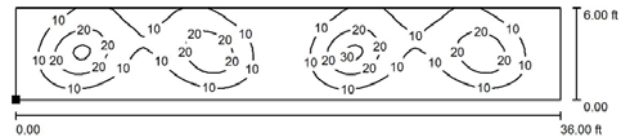
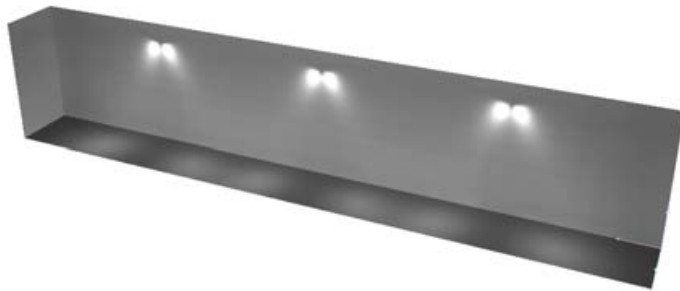
PHOTOMETRIC

MODEL	LUMEN OUTPUT	SPACING DISTANCE WALL MOUNT 7.5FT HEIGHT	SPACING DISTANCE WALL MOUNT 10FT HEIGHT
C2	150lm	18FT	17FT
C2-HO	250lm	30FT	28FT

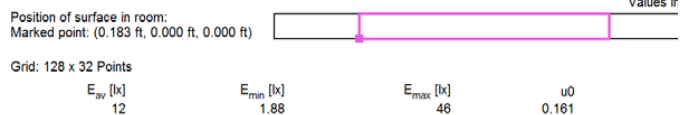
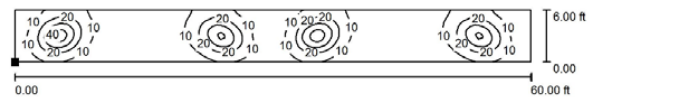
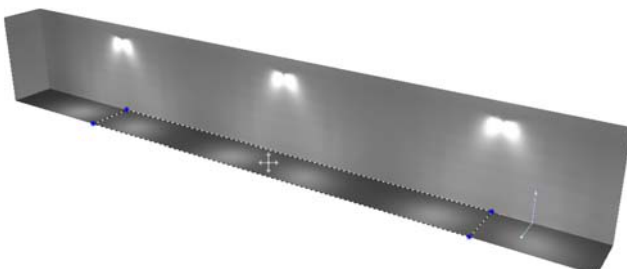
Compliant NFPA 101 requires 1.0 foot candle average and 0.1 foot candle minimum with a 40:1 maximum/ minimum ratio



Normal model, 150lm output



High lumen output model, 250lm output



Project Name:	
Type:	

C2 Series

Exit Sign and Exit Combo

REMOTE HEAD

EXH-701-LO

- Single remote head, 3.6V 0.75W delivers 70lm per unit
- Operation temperature range 10°C...+ 40°C suitable for damp location
- UL, cUL listed

EXH-702-LO

- Dual remote head, 3.6V 1.5W delivers 140lm per unit
- Operation temperature range 10°C...+ 40°C suitable for damp location
- UL, cUL listed

PHOTOMETRIC

MODEL / FEATURE	C2	C2 – CT
Brownout transfer	n/a	✓
Battery low voltage disconnect	✓	✓
Overload disconnect	n/a	✓
Short circuit load disconnect	n/a	✓
Solid State transfer	✓	✓

PACKAGING

- Q'TY : 6 PCS
 N.W : 6.6 KGS
 G.W : 8.0 KGS
 MEA'S : 0.92 CUFT

