

Project Name:	
Type:	

RSEL(BRSEL)-800

LED Edge-lit Exit sign for Recessed mounting

PRODUCT FEATURE

HOUSING

- Compact and decorative design
- Aluminum housing with high grade acrylic panel
- Replaceable acrylic EXIT panel
- Removable directional indicators
- Single and double face universal design
- Removable front cover for easy installation and maint
- 6" height red and green letter optional
- Single and double face optional
- Suitable for damp location
- LynxEM® Wireless testing and reporting system are available.



ELECTRICAL

- 120/277VAC 60Hz dual voltage input optional
- Test switch and charge rate indicator
- Self-test and Self-diagnostics function is available for battery backup model
- Solid-state transfer circuit

LISTING

- Suitable for use in 10°C - 40°C ambient temperature, suitable for damp location
- UL listed meets or exceed all requirement in NFPA 70, NFPA 101 life safe code
- Compliant CEC title 20 efficiency regulations

RELATED PRODUCTS

- [EX-800X Exit Sign](#)
- [S1 Series Exit Sign](#)
- [S2 Series Exit Sign](#)
- [S3 Series Exit Sign](#)

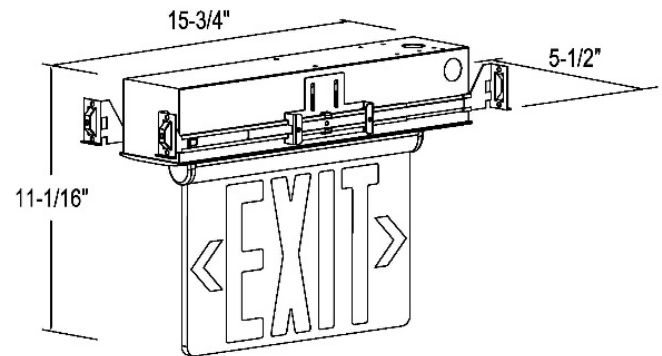
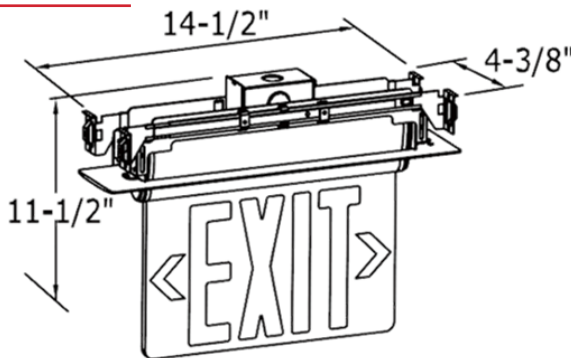
MOUNTING

- Steel case recessed kit optional
- Hanger bar with J-box recessed kit optional

WARRANTY

- See [Limited Warranty Policy](#) for more additional information

PRODUCT DIMENSION



ORDER INFORMATION: EXAMPLE: BRSEL-810T-D-G-W-CT-WH-3-U

MODEL	SERIES	NUMBER OF FACE	LETTER	BACKGROUND	FUNCTION	HOUSING COLOR	INPUT VOLTAGE	PANEL		
RSEL	Recessed box type	800	Battery backup	S Single face	R Red	C Clear	BLANK Standard circuit	AL Aluminum	1 120/277	BLANK Standard type
BRSEL	Hanger bar type	810	AC only	D Double face	G Green	M Mirror	CT Self-Diagnostics	WH White	3 220V	U Including single And double face Panel for universal
		810T	Dual AC input			W White	ZD LynxEM® Wireless testing/ Reporting System			

Project Name:	
Type:	

RSEL(BRSEL)-800

LED Edge-lit Exit sign for
Recessed mounting

PRODUCT PARAMETER

MODEL NO	INPUT VOLTAGE	FACE	LETTER COLOR	TEST FACILITY	BATTERY	RECHARGE TIME	DISCHARGE TIME	POWER CONSUMPTION
(B)RSEL-800SR(C/M/W)-1x* (B)RSEL-800SG(C/M/W)-1x	120/277V 60Hz	Single face	Red/ Green	Manual	Ni-cad, AAA 4.8V 300mA	24 hours	90 min	3W
(B)RSEL-800DR(W/M)-1 (B)RSEL-800DG(W/M)-1	120/277V 60Hz	Double face	Red/ Green	Manual	Ni-cad, AAA 4.8V 300mA	24 hours	90 min	3W
(B)RSEL-800SR(C/M/W)-CT-1-x (B)RSEL-800SG(C/M/W)-CT-1-x	120/277V 60Hz	Single face	Red/ Green	Self-test	Ni-cad, AAA 3.6V 300mA	24 hours	90 min	4W
(B)RSEL-800DR(W/M)-CT-1 (B)RSEL-800DG(W/M)-CT-1	120/277V 60Hz	Double face	Red/ Green	Self-test	Ni-cad, AAA 3.6V 300mA	24 hours	90 min	4W
(B)RSEL-810SR(C/M/W)-1x* (B)RSEL-810SG(C/M/W)-1x	120/277V 60Hz	Single face	Red/ Green	/	/	/	/	2.4W
(B)RSEL-810DR(W/M)-1 (B)RSEL-810DG(W/M)-1	120/277V 60Hz	Double face	Red/ Green	/	/	/	/	2.4W
(B)RSEL-810SR(C/M/W)-CT-1-x (B)RSEL-810SG(C/M/W)-CT-1-x	120/277V 60Hz	Single face	Red/ Green	/	/	/	/	1.8W
(B)RSEL-810DR(W/M)-CT-1 (B)RSEL-810DG(W/M)-CT-1	120/277V 60Hz	Double face	Red/ Green	/	/	/	/	1.8W
(B)RSEL-800SG(C/M/W)-3-X (B)RSEL-800DG(M/W)-3	120/277V 50Hz	Single / Double face	Green	Manual	Ni-cad, AAA 4.8V 300mA	24 hours	90 min	3W

PACKAGING

Q'TY : 3 PCS
N.W : 7.1 KGS
G.W : 8.4 KGS
MEA'S : 1.5 CUFT

