

Project Name:	
Type:	

C4 Series

Exit Sign and Exit Combo

PRODUCT FEATURE

HOUSING

- Injection molded thermoplastic housing
- Plastic enclosure with 5VA flame retardant
- Compact and decorative design
- Friendly configuration design for quick installation
- Exit letter 6" height and 3/4" stroke, snap in and snap out direction indicator
- Fully rotatable lamps head easy snap in housing
- Black color optional



ELECTRICAL

- 120/277VAC dual voltage input optional
- Brownout circuit protection for ST/SD fixture
- Battery low voltage protection
- Solid state transfer circuit
- Test switch and battery charging indicator
- Maintenance free Ni-cad battery
- 24 hours recharge, more than 90 minutes discharge

MOUNTING

- Suitable for wall mount, ceiling mount
- Universal J-box mounting pattern on back plate

BATTERY

- High temperature type Ni-cad battery
- Battery have to recharge if product keep in stock 9 months
- Details manual refer "BATTERY STOCK AND RECHARGE GUIDLINE".

ILLUMINATION

- Long life red or green LED lamps provide uniform diffuser illumination
- Standard model lamp head DC3.6V 0.75W, deliver 150lm from whole unit, CCT 5700K
- HO model lamp head DC 3.6V 1.2W deliver 250ml from whole unit, CCT 5700K
- LynxEM® Wireless testing and reporting system are available.

CODE COMPLIANCE

- UL listed and meets or exceed all requirement in NFPA 70, NFPA 101 life safety code, suitable for USA market
- Compliant CEC title 20 efficiency regulations
- Suitable for 10°C - 40°C ambient temperature, suitable for damp location

RELATED PRODUCTS

- [C1 Series - Exit Sign Combos](#)
- [C2 Series - Exit Sign Combos](#)
- [C3 Series - Exit Sign Combos](#)
- [C5 Series - Exit Sign Combos](#)

WARRANTY

- See [Limited Warranty Policy](#) for more additional information

ORDER INFORMATION: EXAMPLE: C4-G-BLANK-CT-W-1

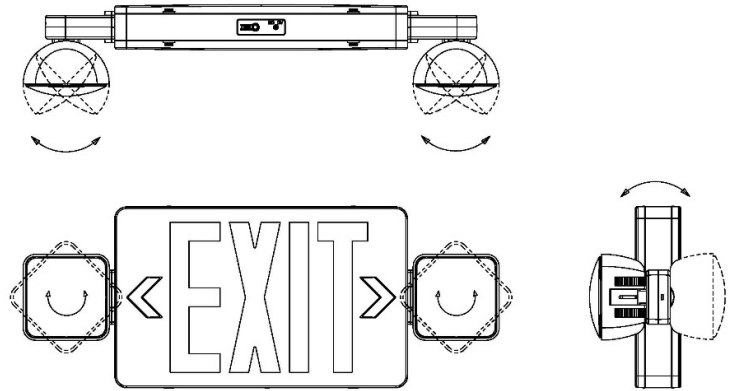
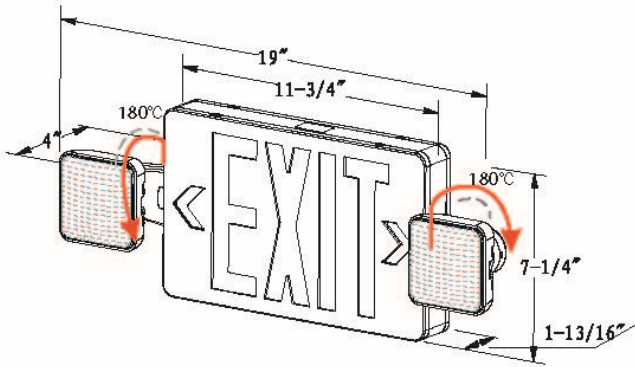
MODEL	LEGEND	OPTION	TEST FACILITY	HOUSING COLOR	INPUT VOLTAGE
C4 Series	R Red color G Green color	BLANK Basic model HO High lumen output RC Remote capability	BLANK Manual test CT Self-testing/ Self-diagnostics ZD Wireless Reporting LynxEM® Control	W White B Black	1 120/ 277VAC

Project Name:	
Type:	

C4 Series

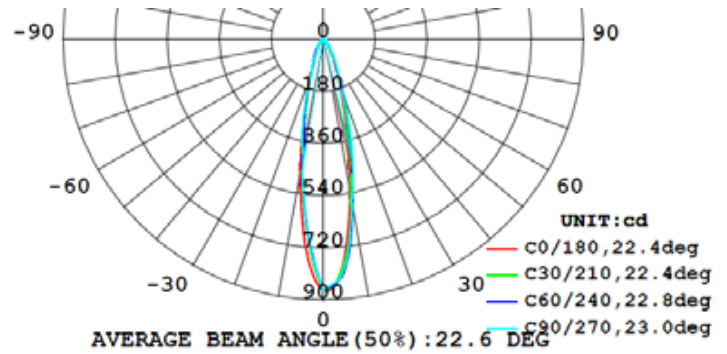
Exit Sign and Exit Combo

DIMENSION AND FULLY RETATIONAL LAMP HEAD



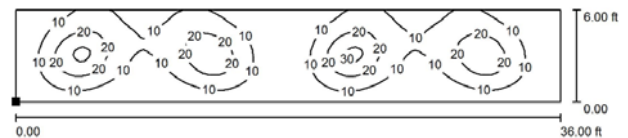
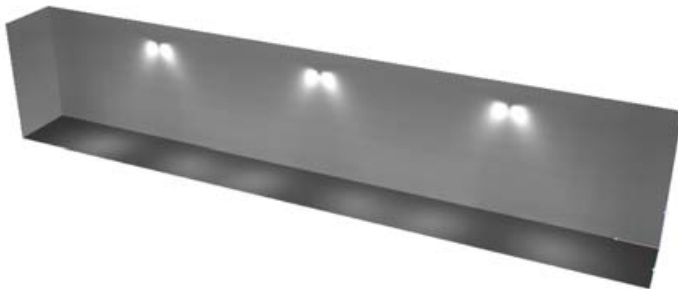
PHOTOMETRIC

MODEL	LUMEN OUTPUT	SPACING DISTANCE WALL MOUNT 7.5FT HEIGHT	SPACING DISTANCE WALL MOUNT 10FT HEIGHT
C4	150lm	18FT	17FT
C4-HO	250lm	30FT	28FT



Compliant NFPA 101 requires 1.0 foot candle average and 0.1 foot candle minimum with a 40:1 maximum/ minimum ratio

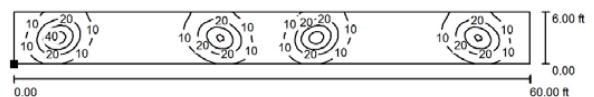
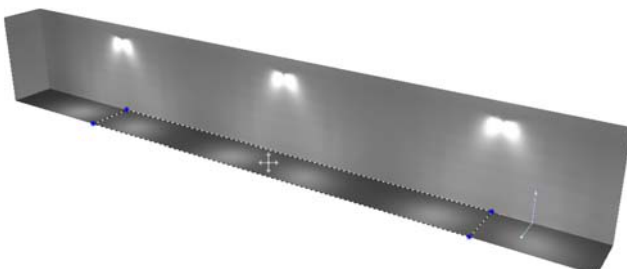
Normal model, 150lm output



Grid: 128 x 32 Points

E_{av} [lx]	E_{min} [lx]	E_{max} [lx]	$u0$
12	3.25	32	0.276

High lumen output model, 250lm output



Grid: 128 x 32 Points

E_{av} [lx]	E_{min} [lx]	E_{max} [lx]	$u0$
12	1.88	46	0.161

Project Name:	
Type:	

C4 Series

Exit Sign and Exit Combo

REMOTE HEAD



EXH-701-LO

- Single remote head, 3.6V 0.75W delivers 70lm per unit
- Operation temperature range 10°C...+ 40°C suitable for damp location
- UL, cUL listed



EXH-702-LO

- Dual remote head, 3.6V 1.5W delivers 140lm per unit
- Operation temperature range 10°C...+ 40°C suitable for damp location
- UL, cUL listed

PHOTOMETRIC

MODEL / FEATURE	C4	C4 – CT
Brownout transfer	n/a	✓
Battery low voltage disconnect	✓	✓
Overload disconnect	n/a	✓
Short circuit load disconnect	n/a	✓
Solid State transfer	✓	✓

PACKAGING

W 406MM x D 388mm x H 267MM
 QTY : 6 PCS
 N.W : 8.2 KGS
 G.W : 11.2 KGS
 MEA'S : 1.6 CUFT

