

Project Name:	
Type:	

# ZBA-PM01

Zigbee Adaptor



The ZBA-PM01 is capable of monitoring and measure energy consumed by the node devices it controlled. This highly innovated and multi-function wireless adapter is designed to work flawlessly within any Zigbee H.A 1.2 communication systems. The ZBA-OM01 can be used in one to one or one to multiple luminaries environment.

The ZBA-PM01 not only provides wireless control to the luminaries. It also provides On/Off and versatile PWM/ 0-10V analog dimming controls. The wide range AC input from 110VAC to 277VAC solved the problem during field installations. It's compact form-factor gives fixture manufactures an easier way to adapt during this designing stage. The isolated 24VDC output provides source voltages for low voltage occupancy and/or photo sensors. Tethered with ZBA-PM01, you can turn non-wireless sensor into Zigbee ready sensor to join the network.

## WARRANTY

- See [Limited Warranty Policy](#) for more additional information.

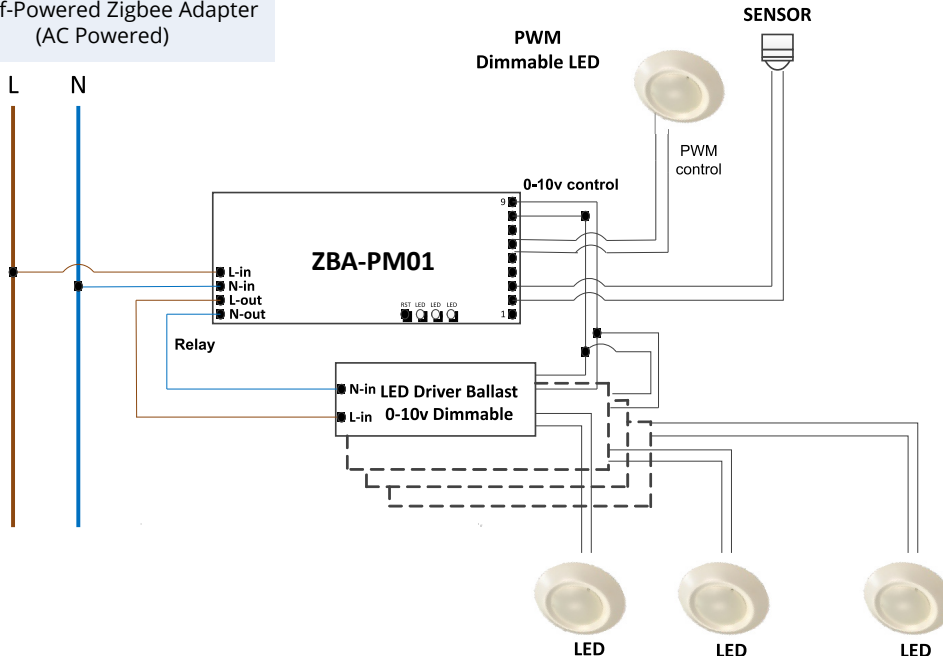
## INDICATOR AND OUTPUT FUNCTIONS

<b>LED INDICATOR</b>	: Red (Power On) Green Flash (Not Commissioned) Green Solid (Commissioned)
<b>RST</b>	: Reset Button
<b>EXT. ANTENNA</b>	: External Antenna Connector
<b>SW1</b>	: ON: Sensor Connection Enable OFF:
<b>SW2</b>	: ON: Linear Sensor Input OFF: Occupancy (or Binary) sensor input
<b>SW3</b>	: Non-Functional: Default as 0-10V dimming ON: RGBW 4-Channel PWMs Control OFF: Warm/ Cool 2- Channel PWMs Control

## SPECIFICATIONS

<b>COMPATIBILITY :</b>	Zigbee H.A 1.2
<b>INPUT :</b>	110 – 277VAC/ 50 – 60Hz
<b>OUTPUT VIA ISOLATED REPLY :</b>	110 – 277VAC/ 50 – 60Hz, 10 Amps Max.
<b>POWER MEASUREMENT :</b>	2% accuracy, 0.03 – 10 Amps
<b>LOW VOLTAGE OUTPUT :</b>	12 or 24VDC; 50mA
<b>SENSOR SUPPORT :</b>	Occupancy Sensor Linear Sensor
<b>OPERATING ENVIRONMENT :</b>	-20 to +65°C
<b>RADIO PROPERTIES :</b>	2.4GHz, +19.5dBm Transmit Power
<b>ANTENNA :</b>	Built-in and External
<b>EXTERNAL ANTENNA :</b>	Optional with connector
<b>DIMMING CONTROL :</b>	0-10VDC RGBW 4 - Channel PWMs Color temp 2 – Channel PWM
<b>DIMENSIONS :</b>	102 x 41 x 24mm (L x W x H)
<b>COMPLIANCE :</b>	UL (Pending)/ FCC Certified
<b>WARRANTY :</b>	5 YEAR

Stand-alone Solution:  
1. Self-Powered Zigbee Adapter  
(AC Powered)



ORDER INSTRUCTIONS	
ZBA-PM01	0-10 dimming (Default)
ZBA-PM01 RGB	4 – Channel PWMs