

Project Name:	
Type:	

# ZBA-DC01



The ZBA-DC01 is a Wireless end-node device that is designed to work flawlessly in any Zigbee H.A 1.2 communication environment. This light weight, ultra compact, yet powerful device provide 2 independent sets of PWM signals for dimming and/ or color mixing control. The ZBA-DC01 provides added versatility. It also includes optional external antenna, 4 channel PWM for RGBW controls. All these are packed in a very small package.



## WARRANTY

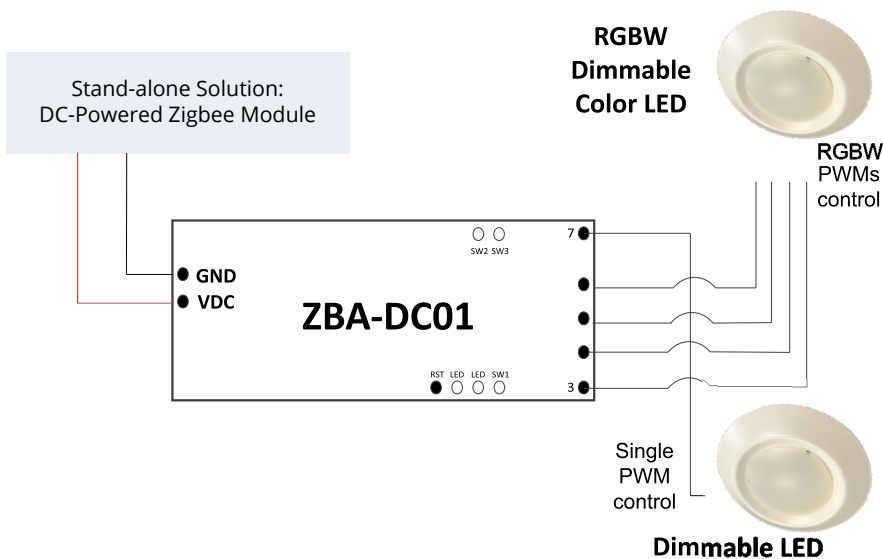
- See [Limited Warranty Policy](#) for more additional information.

## DESCRIPTION

<b>RST</b>	:	Reset Button
<b>LED 1</b>	:	Red (Power On)
<b>LED 2</b>	:	Green Flash (Not Commissioned) Solid Green (Commissioned)
<b>SW1</b>	:	Non Functional: Default as 0-10V dimming ON: RGBW 4 Channel PWMs OFF: Warm/ Cool 2 Channel PWMs
<b>SW2</b>	:	Reserved
<b>SW3</b>	:	ON: Ext. Antenna Enable OFF: Ext Antenna Disable

## SPECIFICATIONS

<b>COMPATIBILITY :</b>	Zigbee H.A 1.2
<b>INPUT :</b>	3.3VDC
<b>OPERATING ENVIRONMENT :</b>	-20 to +65°C
<b>LED INDICATOR :</b>	Red (Power On) Yellow (Error) Green (Join Network)
<b>RADIO PROPERTIES :</b>	2.4GHz, +19.5dBm Transmit Power
<b>INTERNAL ANTENNA :</b>	Built-In
<b>EXTERNAL ANTENNA :</b>	Optional with connector
<b>DIMMING CONTROL :</b>	0-10VDC (Default) RGB 4-Channel PWMs Control Cool/ Warm 2-Channel PWMs Control
<b>DIMENSIONS :</b>	42.5 X 28 X 9mm (L x W x H)
<b>WARRANTY :</b>	5 Year



ORDER INSTRUCTIONS	
<b>ZBA-DC01</b>	0-10V Dimming (Default)
<b>ZBA-DC01 RGB</b>	4 Channel PWMs